



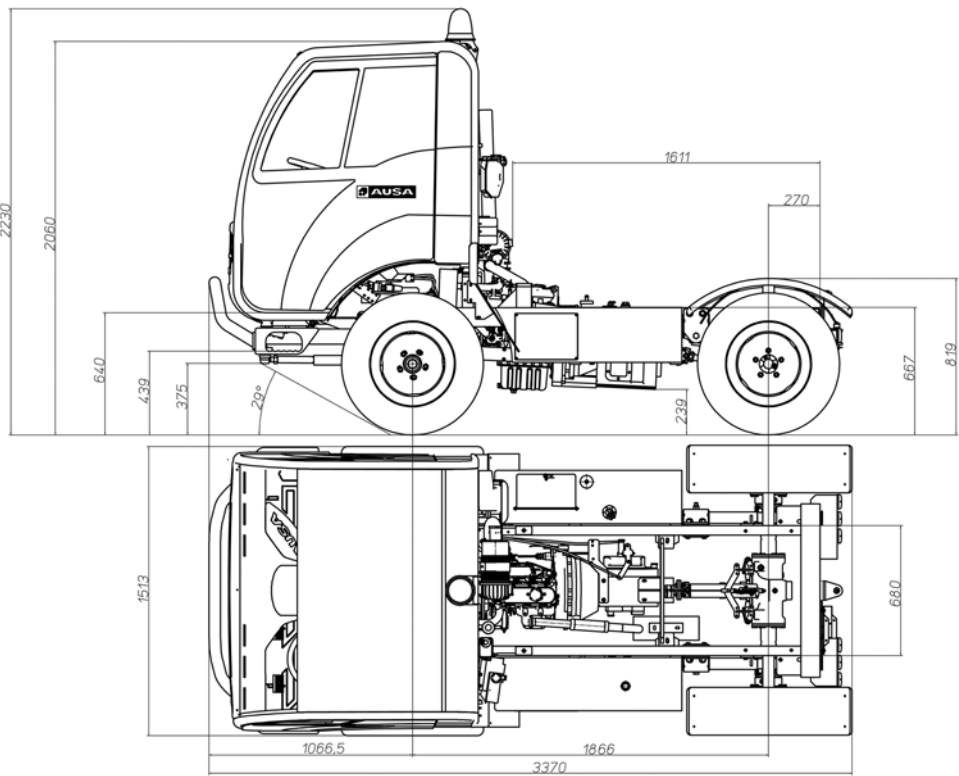
M 150 M
M 150 MC

VERSATIL MULTIFUNCIONAL MODULAR PROFESIONAL ÚNICO
VERSATILE MULTIFUNCTIONAL MODULAR PROFESSIONAL UNIQUE
VIELSEITIG MULTIFUNKTIONAL MODULAR PROFESSIONELL EINZIGARTIG
POLYVALENT MODULAIRE PROFESSIONEL UNIQUE



m 150mc

M 150 M _1500 Kg
M 150 MC _1500 Kg



TECHNICAL SPECIFICATIONS

		M 150M	M 150MC
Load capacity (Kg)		1500	
Hopper capacities (l)	Levelled	850	
	Heaped	1200	
Engine and electrical	Make	KUBOTA	
	Type	D1105	
	Power acc. (Kw - Cv)	16.8 - 25.3	
	N. of cylinders	3	
	Cooling	Liquid	
	Fuel	Diesel	
Fuel capacity (l)		35	
Transmission		Mechanical, with 5 forward gears and 1 reverse	
	Ground speed (Km/h)	30	
	Traction	4 x 2	
Gradient negotiable (with full load)		38%	
Brakes		Hydraulic braking system Front: disks - Rear: oil-immersed multidisk With parking brake	
Steering		Hydraulic steering system	
Suspension		Front axle with springs and hydraulic damper Rear axle with elliptical leaf springs	
Attack	Obstruction angle	29°	
	Departure angle	60°	
Weight (Kg)	Unloaded weight (Kg)	1050 (front axle), 670 (rear axle)	1100 (front axle), 920 (rear axle)
	Maximum loaded weight (GVW)	1250 (front axle), 1970 (rear axle)	1500 (front axle), 2220 (rear axle)
Hydraulic delivery		Steering pump 16 l/min (at 1500 rpm)	
Tyres		10,0/80-12	

STANDARD EQUIPMENT

Closed cabin with heating
Ergonomic seats
Seat belts
Rear view mirrors (left/right)
Rotating beacon
Lighting equipment
Audible reverse warning
Unloading tipping box
Container carrier system + 1 container

OPTIONAL EQUIPMENT

Box with folding doors
Box with different measurements wings
High pressure cleaning
Wide tyres 11,0/65-12
Spare boxes for container carrier system
Garbage container

AUSA reserves the right to make any changes in the specifications without prior notice.