

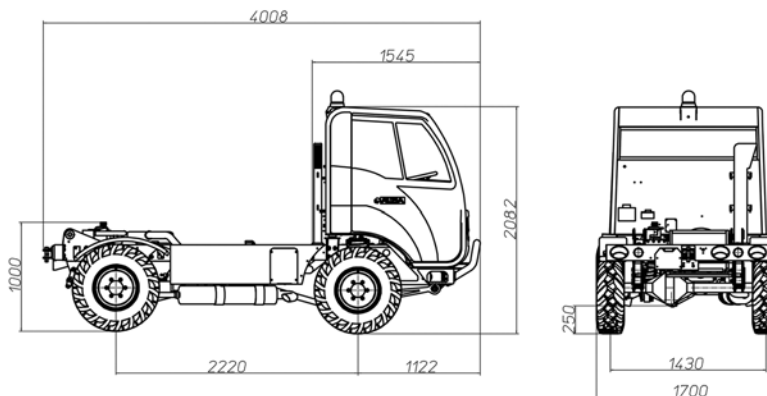


M 250 M x4

EL VEHICULO MULTIUSOS QUE FACILITA TU TRABAJO
 THE TOOL-CARRIER THAT MAKES YOUR WORK EASIER
 MULTITASK-GERÄTETRÄGER, DAS FAHRZEUG FÜR DEN HARTEN EINSATZ
 LE VEHICULE MULTISERVICE QUI FACILITE TON TRAVAIL



M 250 M_2500 Kg



TECHNICAL SPECIFICATIONS

Load capacity (kg)		2500	Gradient negotiable (with full load)	35%
Hopper capacities (l)	Levelled	1500	Brakes	Hydraulic pump. Front wheels with self-ventilated discs and drum discs on rear wheels (with parking brake)
	Heaped	2000		
Engine	Make	ISUZU	Steering	Hydrostatic
	Type	4LE2		
	Power acc. (Kw - Cv)	37.5 / 51 (2700 rpm)	Suspension	Front axle with springs and hydraulic shock absorbers. Rear axle with helycooidal leaf springs and shock absorbers
	N. of cylinders	4		
	Cooling	Liquid		
Fuel	Diesel	Attack	Obstruction angle: 32° (without front plate for attachments)	
Fuel capacity (l)		50	Departure angle: 62°	
Transmission		Mechanical, with 5 forward gears and 1 reverse	Weight (Kg)	Unloaded weight: 2540
	Ground speed (Km/h)	44		Gross weight: 5190
	Traction	4x4 continuous with central differential, COMPEN system		Gross weight per axle: 2350 (front axle), 2900 (rear axle)
			Hydraulic delivery	Steering pump 18 l/min. Service pump 34 l/min

STANDARD EQUIPMENT

Closed cabin with heating	Doors with panning visibility	Rotating beacon	Rough-terrain tyres
---------------------------	-------------------------------	-----------------	---------------------

TRANSPORT

Transport box	Standard box. Dimensions of 1.600 x 2.640 x 300 mm (width x length x height) Short standard box. Dimensions of 1.850 x 2.200 x 300 mm (width x length x height) Loading capacity of 2.500 Kg
Towing	Dimensions: 1.700 x 2.700 x 400 mm (width x length x height) and loading capacity of 3.500 Kg
Trilateral	Standard trilateral: Dimensions: 1.700 x 2.600 x 400 mm (width x length x height) Short standard trilateral: 1.850 x 2.200 x 400 mm (width x length x height) Unloading angles at 3 directions up to 46° and loading capacity of 2500 Kg
Container-holder	Maximum dimensions of the transport loading: 1.220 x 2.400 mm (width x length) and loading capacity of 2.500 Kg (Distance between arms: 1.360 mm)

PACKS



SUPPORT PACK

Palfinger crane with a capacity of 280 Kg. at a height of 8.10 metres.

Optional: Unique homologated crane in the market to be used as elevator-people. Basket with remote control. Able to elevate 1 person and tools (120 Kg) at a working height of 10.7 metres.

MOVEX PLATFORM

Working height: 15m - Load on basket: 200 Kg (2 persons)

Rotation: 360°

Stabilizers: 4

Total weight of MOVEX device: 1615 Kg

