



W 200 H

**EQUIPO HIDROLIMPIADOR DE ALTAS PRESTACIONES PARA LIMPIEZA URBANA
HIGH PERFORMANCE WATERCLEANER EQUIPEMENT FOR URBAN CLEANING
HOCHLEISTUNGS-AUSSTATTUNG WASSERREINIGUNG FÜR DIE KOMMUNALREINIGUNG
LAVEUSE DE VOIRIE A HAUT RENDEMENT**



www.ause.com

AUSA Center, S.L. ● Ctra. de Vic, Km 2.8 - P.O.B. 194. 08243 Manresa - BARCELONA (ESPAÑA) Tel.: +34 93 874 73 11 - E-mail: ause@ause.com



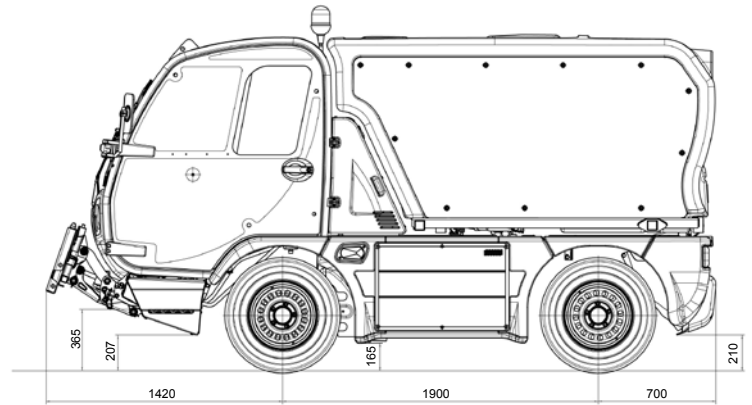
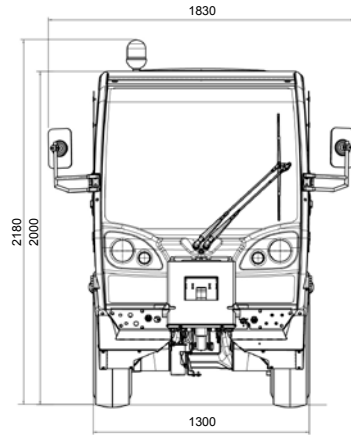
AUSA Madrid ● Pol. Ind. Coslada - C. Marconi 15-17. 28823 Coslada - MADRID (ESPAÑA) Tel.: +34 91 669 00 06 - E-mail: ause.madrid@ause.com
AUSA France ● Z. I. Saint Charles - Rue de Zürich, 66000 PERPIGNAN (FRANCE) Tel.: +33 (0) 4 68 54 38 97 - E-mail: ause.france@ause.com
AUSA Deutschland ● Heinrich - Welken Str. 5. 59069 HAMM (GERMANY) Tel.: +49 (0) 2385-9359362 - E-mail: ause.deutschland@ause.com
BEIJING Rep. Office ● Address Room 527. HengXiang Building, Tuanjieshu Nanli, Chaoyang District - BEIJING 100026 (CHINA)
Tel.: 86-10-8597 1983 - Fax: 86-10-8597 1993 - E-mail: ause.china@ause.com
AUSA UK ● Tel.: 07970639988 - E-mail: ause.uk@ause.com
AUSA Brasil ● Tel.: +55 51 33622111 - E-mail: ause.brasil@ause.com
AUSA México ● Gustavo Baz, 47. 53489 Naucalpan de Juarez, Edo. de México (MÉXICO) Tel.: +55 2166-9066 - E-mail: ause.mexico@ause.com

(Sede central AUSA-Manresa)

W 200 H

AUSA

www.ausa.com



TECHNICAL SPECIFICATIONS

	W 200 H 4x2x2	W 200 H 4x2x4	W 200 H 4x4x4
Drive-line configuration	2 wheel steering and 2 wheel drive	4 wheel steering and 2 wheel drive	4 wheel steering and 4 wheel drive
Spraying flushing system	Tank water capacity 2000 l High pressure pump 85 litre/minute at 60 bar Flushing bar 3 independent stretching bars (from 1'3 m to 2,5 m wide) plus side-flushing jets		
Weight	Max. Laden mass 5000 Kg External turning radius 3623 mm		
Engine	Make VOLKSWAGEN Type 2.0 TDI Euro 5 Emissions Euro 5 Power (Kw - CV) 75 -102 (3000 rpm) N. Of Cylinders 4 Cooling system Liquid with variable speed fan and auto cleaning system Fuel Diesel Tank capacity 60 l		
Transmission	Hydrostatic Rexroth with 2 wheel radial motors on rear axle		Hydrostatic Rexroth with 2 wheel radial motors on each axle
	Max speed 40 km/h		25 km/h
	Max working speed 25 km/h		
Brakes	Gradient negotiable 27% at full load (30% at 4500 Kg)		37% at full load
	Service Servo assisted brake, disk brake on front wheels and drum brakes on rear wheels		Servo assisted brake. Drum brakes on four wheels
	Parking Mechanical brake on rear axle		
Steering	Type Orbitrol hydraulic steering		
	Modes Front	Front / Front + Rear	Front / Front + Rear
Suspension	Front Hydraulic absorbers + Springs		
	Rear	Hydraulic absorbers , Springs and anti roll bar	
Wheels	Front / Rear 225/75 R16		
Auxiliary hydraulic circuit	Hydraulic Pump Triple gear pump - 22cc - 16cc - 11cc		
	Front Quick Couplings 3 quick-attach and independent hydraulic couplings (5 l/min) and 1 quick-attach hydraulic coupling (50 l/min)		
	Rear Quick Couplings 1 quick-attach and independent hydraulic couplings (5 l/min) - 1 quick-attach and independent hydraulic couplings (20 l/min) - 1 quick-attach and independent hydraulic couplings (50 l/min)		

STANDARD EQUIPEMENT

OPTIONAL EQUIPEMENT

Front plate tool-carrier Link® System
Driver position on the left side of the vehicle
Driver seat with mechanical suspension
Passenger seat without suspension
Steering wheel with regulation on height and depth
High capacity heater
Electronic control for the speed of the engine
Electronic control for the travel speed
Radio pre installation
Quick coupling Link® system
AUSA fuel saving system (A.F.S.) in long distance travel at high speed
Front plate tool-carrier Link® System - For AUSA attachments coupling bracket
Front plate tool-carrier Link® System - Triangular coupling bracket
Right hand drive
Driving seat with neumatic suspension
Electrically and adjustable rear mirrors with heater.
Working lights on the top of cabin LED
Automatic grease system
Air conditioning
Radio stereo equipment
Radio/CD stereo equipment
Towing hitch (50 mm ball & 13 pins) with electric socket
Capacity 750 kg without brake; 3.500 kg with brake
Extensible legs for attachments disassembly
Camera rear vision with display in cabin

MKT22039/01/04.2012

AUSA reserves the right to make any changes in the specifications without prior notice.